

ABCAT[®] wood smoke filter **MANUAL**



**Important! Read this manual carefully
before you use the ABCAT[®]**

Congratulations with the purchase of your ABCAT[®] wood smoke filter.
In this manual you can find the most important aspects for an optimal and
safe use of the ABCAT[®].

More information can be found in the ABCAT[®] handbook. This handbook can
be downloaded free of charge via www.ecocat.eu/downloads

1. Safety	2
2. Conditions for use	2
3. Operation	3
4. Cleaning	3
5. Reinserting	4

1. Safety

- **BE CAREFUL:** The handle of the ABCAT® can be hot!
- Cleaning of the ABCAT® may only be done with a cold, not burning stove.
- It is important that the ABCAT® is easily accessible for operation and maintenance.
- The ABCAT® must be professionally installed.

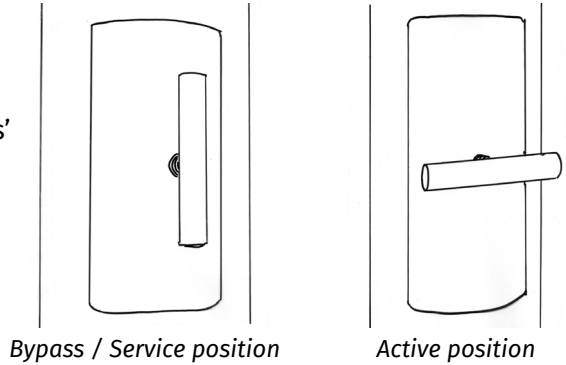
2. Conditions for the use of the ABCAT®

- Chimney:** The negative pressure in the chimney should be at least 15 Pa. Your seller can measure this. In case the negative pressure is not known, the following should be taken into account: The chimney is at least 5 meters high, measured from the exit of the stove. Of this length, at most the first 2 meters is without insulation.
- Temperature:** The flue gas near the ABCAT® frequently has a temperature of min. 300°C, max. 700°C. It is strongly recommended to monitor the temperature with a bi-metal insert thermometer.
- Output:** It is important that the ABCAT® fits the output of the stove. See the ABCAT® handbook.

The ABCAT® functions optimally when the stove, chimney, fuel and operation of the stove are well matched. See the ABCAT® handbook for more information.

3. Operation of the ABCAT®

With the handle the ABCAT® can be rotated. One side of the handle has a **dimple**. With this dimple the 'service' and 'bypass' positions can be identified.



Bypass: In this position the ABCAT® is OFF. Only open the stove door when the ABCAT® is in this position. The bypass position can also be used if there is still little draft when the stove is started.

Service: In this position the ABCAT® can be removed for cleaning.

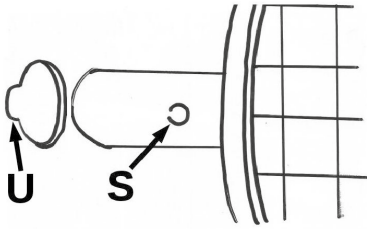
Active: In this position the ABCAT® is ON.

The ABCAT® is rotated into the **bypass position** before the stove door is opened. The ABCAT® is rotated into the **active position** after the door of the stove is closed. The ABCAT® can be rotated into the **active position** when, after *top down* lighting the fire, the stove door is closed. This way the ABCAT® heats up together with the stove and flue and starts to work as soon as possible.

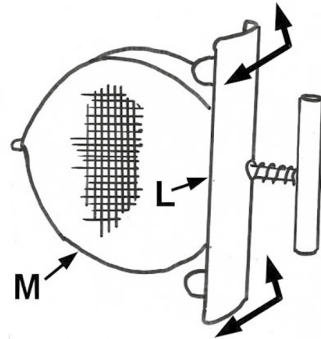
4. Cleaning the ABCAT®

The ABCAT® is cleaned by rinsing it with warm water. The frequency depends on different aspects, more details can be read in the ABCAT handbook. Clean the ABCAT® at least when ash is removed from the stove. More frequent cleaning is recommended for an optimal performance of the ABCAT®.

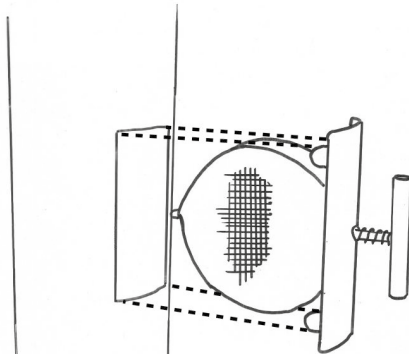
5. Reinserting the ABCAT®



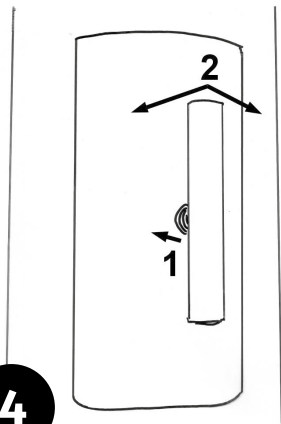
- 1** Ensure that the pin (S) fits in the opening (U) in the back of the stovepipe.



- 2** Position the hatch (L) straight in regard to the module (M).



- 3** Carefully slide the module into the stovepipe and steer the lips to the corners of the opening.



- 4** Push against the pressure of the spring (1), then turn the handle (2).

- 5** Check if the pin (S) is visible on the back of the stovepipe.

